

BOLD

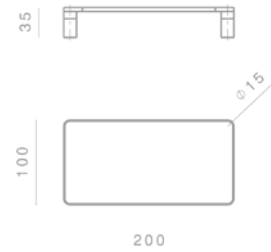
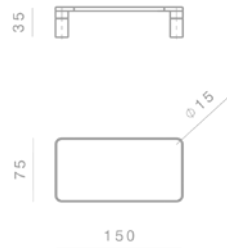
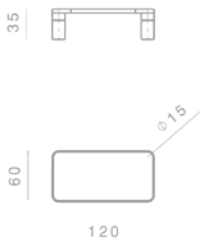
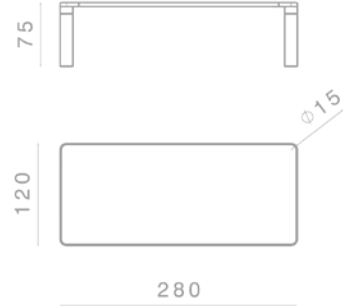
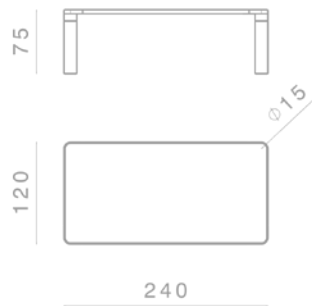
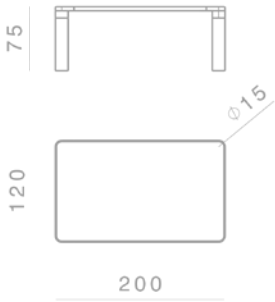
Tables

Structure

Die casted aluminum on the angular elements and extruded aluminum for the supporting structure on the perimeter
Legs: marble, wood

Top Finishes

20mm marble, 20mm wood



Custom finishes available upon request.